

CONTACT NUMBER	SIGNAL NAME
PIN 1	VBUS
PIN 2	D-
PIN 3	D+
PIN 4	ID
PIN 5	GND

PCB LAYOUT MOUNTING PATTERN

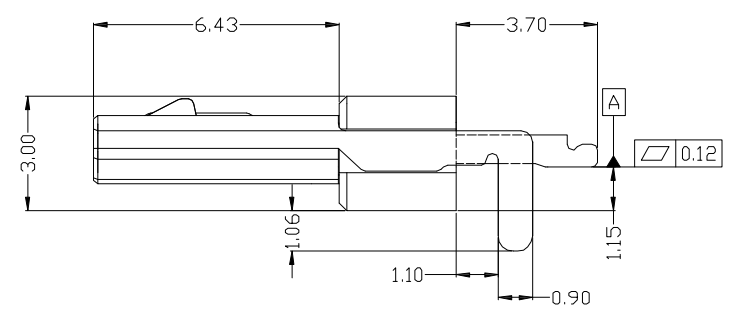
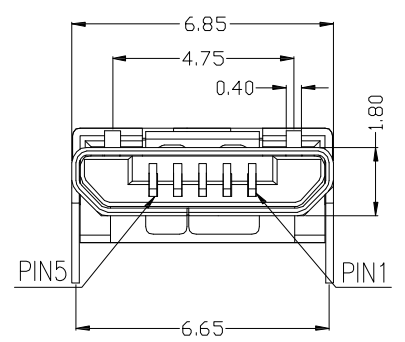
**SPECIFICATIONS**

- Electrical:**
- 1.Current Rating: 1.0A / contact terminal
  - 2.Voltage Rating: 30V DC
  - 3.Contact Resistance: 30 mΩ Max
  - 4.Dielectric Withstanding Voltage: 100 V AC
  - 5.Insulation Resistance: 100 MΩ Min

- Mechanical:**
- 1.Mate force: 35N (Max)
  - 2.Withdrawal force: 8N (Min) , initial

- Material:**
- 1.Hook: SUS 301
  - 2.Contact: Phosphor Bronze
  - 3.Shell: SUS 301
  - 4.Insulator: Temperature Thermal Plastics,UL94V-0

- Finish:**
- 1.Contact: Plated Gold in Mating Area ;  
Tin Plated on Solder Balls ;  
Nickel under plated overall
  - 2.Shell: Nickel under Plated surface layer



TOLERANCE UNLESS OTHERWISE STATED :  
 Up to 5 ±0.2  
 Above 5 ~ 15 ±0.3  
 Above 15 ~ 30 ±0.4  
 Above 30 ~ 50 ±0.5  
 Angle ±0.3

3RD. ANGEL'S



UNITS

MM

DRAWN BY:	DATE	MAT'L	TITLE	CONNECTOR
Jack Lu	04/01/15		MODLE	MICRO USB 5P/M 板端 SMT TYPE
CHECKED BY:	DATE	SCALE	DWG NO.	MRUSB-5PLM-S306
Jacky Chen	04/01/15	1 : 1	PART NO.	MRUSB-5PLM-S306
APPROVED BY:	DATE	SHEET NO.		
Tony Kao	04/01/15	1 of 1		

ITEM NO.	DESCRIPTION	DRAWN	DATE